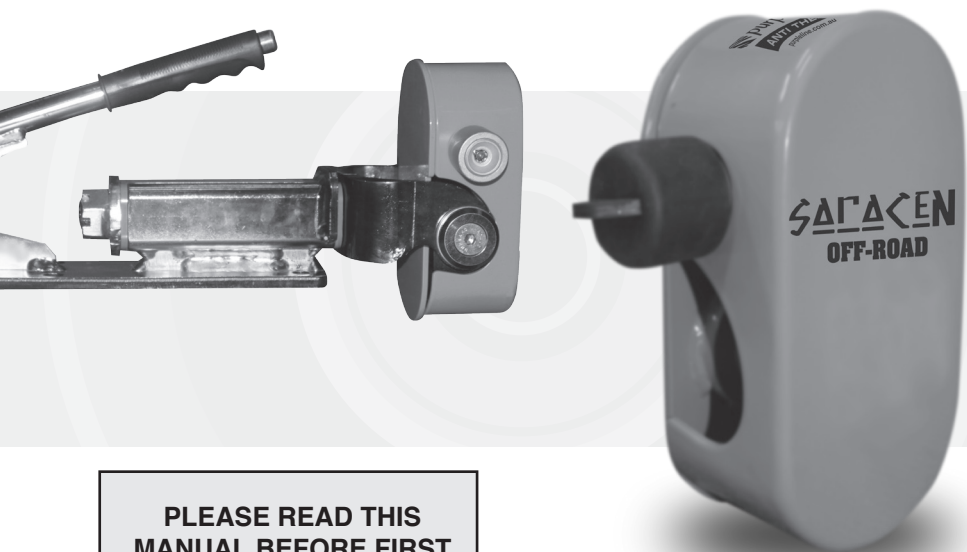


**ANTI THEFT**

# SARACEN<sup>®</sup>

## OFF-ROAD



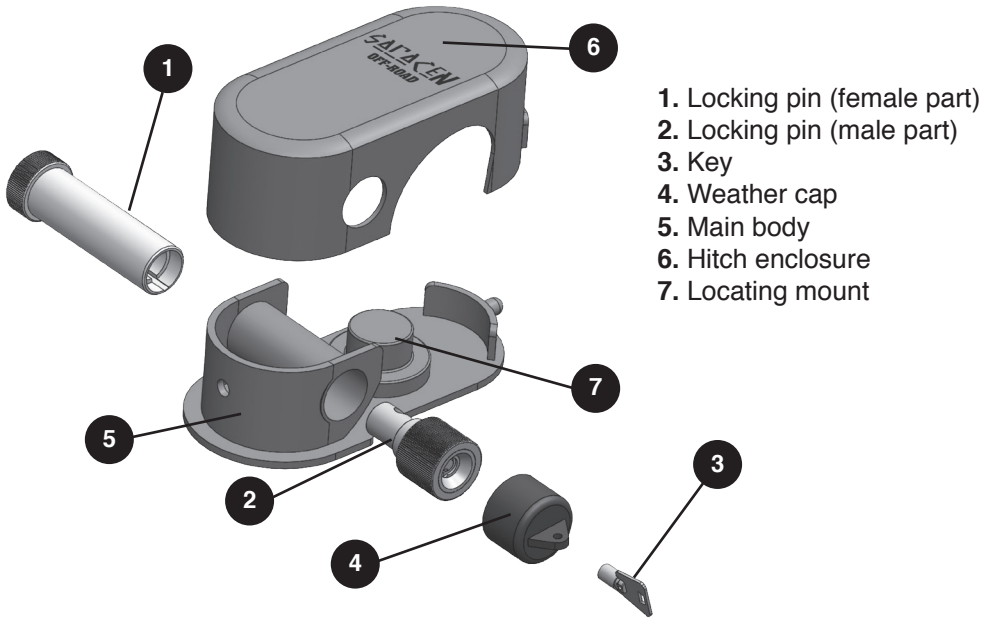
PLEASE READ THIS  
MANUAL BEFORE FIRST  
USE. TIME INVESTED IN  
CORRECT FITMENT IS  
REPAID IN THE LEVEL  
OF SECURITY THAT IS  
ACHIEVED.

## User Manual

Product Code: SHL400

 **purpleline<sup>®</sup>**  
design...innovate...improve

## SARACEN® OFF-ROAD HITCH LOCK COMPONENT IDENTIFICATION



## SARACEN® OFF-ROAD HITCH LOCK MAINTENANCE

On a regular basis apply either a clear silicone lubricant or petroleum jelly to the male lock section to protect it from seizing.

## SARACEN® OFF-ROAD HITCH LOCK USAGE

The Purple Line® Saracen® Off-Road Hitch Lock is made from specially hardened high strength steel which is resistant to cutting and drilling, and has a high security, seven-pin barrel lock that resists picking, drilling and gas freezing.

The Saracen® Off-Road Hitch Lock is suitable for caravans, camper trailers, boat trailers and general purpose trailers fitted with a Vehicle Components HITCHMASTER® DO35 trailer coupling and is designed to secure the vehicle by preventing it from being towed away.

## SARACEN® OFF-ROAD HITCH LOCK USER INSTRUCTIONS

The Saracen® Off-Road Hitch Lock is designed to be fitted when the vehicle is stationary and unhitched.

### UNLOCK & REMOVE:

- i. Remove weather cap and insert the key into the lock.
- ii. Push key into lock and turn it 90 degrees clockwise to unlock.
- iii. Remove the locking pin from the housing.
- iv. Remove hitch enclosure
- v. Remove main body.

### FIT & LOCK:

- i. Unhitch your van or trailer from the tow vehicle.
- ii. Tilt the DO35 hitch forward 90° so the pin receiving hole is horizontal.
- iii. Insert the main body of the Saracen® Off-Road Hitch Lock behind the hitch so the locating mount fits into the DO35 pin receiver (so the locking pin will be at the top).
- iv. Fit hitch enclosure to front of hitch lock assembly.
- v. Insert locking pin into hitch lock and lock it with the key.
- vi. Attach weather cap to locking pin

**CAUTION: Always keep keys in a safe place. For security, replacement keys are not available, but key blanks are available to copy an existing key.**

## SARACEN<sup>®</sup> OFF-ROAD HITCH LOCK - DISCLAIMER

When the Saracen<sup>®</sup> Off-Road Hitch Lock is fitted correctly it is an effective deterrent to prevent the theft of a vehicle. However, as with all products designed to prevent theft, they will not prevent a determined or professional thief from stealing a vehicle.

Accordingly, Purple Line Pty Ltd will not accept any liability for any loss or damage which may result from an attempted or realised theft. Additionally, no liability will be accepted from the improper fitment, use or misuse, maintenance and unauthorised modification or repair of the Saracen<sup>®</sup> Off-Road Hitch Lock and any consequential loss that may result.

Photographs used are for illustration purposes only and may differ for the product. Purple Line reserves the right to alter product specifications without prior notice.

## SARACEN<sup>®</sup> OFF-ROAD HITCH LOCK - WARRANTY POLICY

The Saracen<sup>®</sup> Off-Road Hitch Lock is guaranteed for 12 months from date of purchase and subject to Australian Consumer Law. Purple Line warrants the Saracen<sup>®</sup> Off-Road Hitch Lock is supplied free of defects.

**Refund:** The price of goods will be refunded if not fit for purpose.

**Replacement:** Goods will be replaced if defects were apparent upon purchase or a major failure occurs, which cannot be repaired.

**Repair:** Goods will be repaired in the event of failure. Goods presented for repair may be repaired or replaced by refurbished goods or parts of a similar type.

**Contacts:** To make a warranty claim first contact the retailer from which the goods were purchased. If purchased online, contact Purple Line [www.purpleline.com.au/contact](http://www.purpleline.com.au/contact).

To activate your warranty please register your Saracen<sup>®</sup> Off-Road Hitch Lock at [www.purpleline.com.au/product-registration](http://www.purpleline.com.au/product-registration).

Purple Line Pty Ltd  
12 Capital Court  
Braeside VIC 3195  
T: +61 (3) 9588 2959  
E: [enquiries@purpleline.com.au](mailto:enquiries@purpleline.com.au)  
W: [www.purpleline.com.au](http://www.purpleline.com.au)

 **purpleline<sup>®</sup>**  
design...innovate...improve  
[purpleline.com.au](http://purpleline.com.au)

Design Registration: 201615715