

# orbit<sup>®</sup> AIR ASTRO

INFLATABLE CARAVAN ANNEXE RANGE

ASTRO



[orbitairtech.com.au](http://orbitairtech.com.au)

DEVELOPED SPECIFICALLY FOR THE AUSTRALIAN CLIMATE  
From the makers of the Multi-Award Winning Air OPUS<sup>®</sup> Camper Trailer

 purpleline<sup>®</sup>  
design...innovate...improve



**AIR INFLATION ANNEXE**



Spacious and light-filled the ORBIT<sup>®</sup> Air Astro Annexe is a perfect choice

**SWITCH TO AIR BEAM TECHNOLOGY**

Camping should be about relaxing and enjoying yourself, not spending precious time erecting old-fashioned pole-and-canvas annexes. Use the best annexe accessories that are reliable, easy to set up, take up little space, and will provide you with long-lasting enjoyment and protection.



**AIR INFLATION POINT**

The ORBIT<sup>®</sup> Air Annexe is fully sealed and rigged with an air inflation point - "plug and puff".



**LIGHTWEIGHT CANVAS & UV PROTECTION**

The ORBIT<sup>®</sup> Air Astro Annexe is made from materials designed to withstand challenging Australian climate. The heavy duty 300D Micro weave polycotton canvas with UPF50+ sun protection.

# orbit<sup>®</sup> AIR ASTRO INFLATABLE AIR ANNEXE

## KEY FEATURES:

Proprietary and rigorous design created for convenience, durability and maximum performance in the Australian outdoors.

- Low & high version available: height 255cm or 275 cm
- Lightweight & modern curved design for optimal performance in high winds
- Inflatable for easy set-up
- 3 layered window system (fly screen, window clear & block out)
- Roof air beam structure for simplistic rigidity
- Waterproof 300D micro weave polycotton canvas
- Superior UV protection UPF50+
- Excellent ventilation
- Easy to repair if required
- Plastic LED sleeve for fitting an optional LED light strip
- Tight canvas fit around the bladder beam for strength and structural integrity
- Hand pump with pressure gauge, adjustable ladder bands and steel pegs, wind skirt, ground sheet, dirt skirt and carry bag included

## ANNEXE FEATURES



3 layered window system



Air inflation valve



Waterproof ground sheet



Great fitting



Robust storm straps



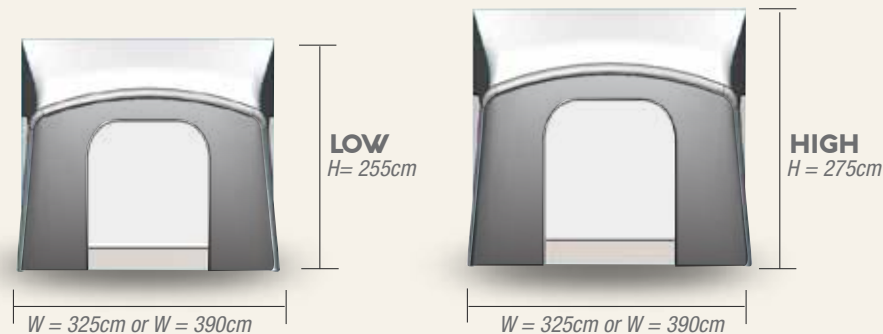
Excellent ventilation

**IT'S ALL ABOUT CONVENIENCE  
AND COMFORT**

ORBIT<sup>®</sup> Air Beam technology makes erecting your annexe a breeze – it's so quick and easy to fit, you won't believe how soon you'll be fully set up and enjoying yourself.

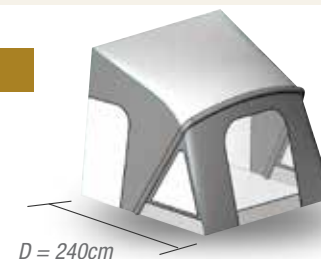


**ANNEXE SPECIFICATIONS**



**ORBIT AIR ASTRO LOW & HIGH RANGE**

The ORBIT<sup>®</sup> Air Astro range has a **LOW** and **HIGH** version for touring or off-road caravans. The depth of 240cm is the same for each model.



- Orbit Air Astro 325 **Low** Dimensions: 325W x 240D x 255H
- Orbit Air Astro 325 **High** Dimensions: 325W x 240D x 275H
- Orbit Air Astro 390 **Low** Dimensions: 390W x 240D x 255H
- Orbit Air Astro 390 **High** Dimensions: 390W x 240D x 275H



## IT'S TIME TO UPGRADE YOUR CARAVAN ANNEXE

With a simple push of a button, you can have the most durable, easy to use, practical and stylish annexe in the market that uses today's proven technology.



## ANNEXE INCLUSIONS

### YOUR ANNEXE BAG CONTAINS

- Inflatable Annexe
- Hand Pump with Pressure Gauge
- Wind Skirt
- Ground Sheet
- Steel Pegs
- Adjustable Support Poles
- Ladder Bands
- Repair Kit
- Sail Track



Carry bag



Steel pegs



Ground sheet



Wind skirt



Ladder bands



Hand pump with gauge

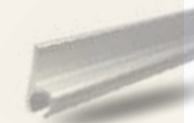
### LED LIGHT BAR SET UP



Plastic sleeves are inbuilt along the air beam which allows you to run LED light strips and wiring.

### COMES WITH SAIL TRACK

The ORBIT<sup>®</sup> Air Astro Annexe comes with Sail Track so you can customise your annexe installation to suit your needs.



# orbit<sup>®</sup> AIR ASTRO INFLATABLE AIR ANNEXE

## INFLATABLE ORBIT AIR ANNEXES FROM PURPLE LINE

From the makers of the world's first inflatable camper trailer - The Air OPUS<sup>®</sup>. Purple Line have taken their Multi-Award winning innovation and technology to produce a great range of affordable air annexes built tough for the Australian outdoors.



**AIR OPUS<sup>®</sup>**  
TENT INFLATION TECHNOLOGY



## SUPER FAST PITCHING



**MEASUREMENT ADVICE**

**TOP 10 REASONS FOR PURCHASING AN ORBIT AIR CARAVAN ANNEXE**

**1. Super-fast pitching**

Just couple of minutes to put up and take down! The speed of set-up makes Orbit Air Annexes super convenient and family-friendly.

**2. Durability**

The main structure of the Orbit Air Annexe uses inflatable air beams, which pulls the annexe taut, making it strong and sturdy. Air beams flex with the wind, eliminating breaking or bending poles by accident, or in extreme weather conditions.

**3. Lightweight**

With no bulky metal poles in the structure, the overall weight is easier to manage. The absence of poles reduces the weight in your rig, so you don't have to worry about your caravan being overweight.

**4. Compact**

Less bulky and more compact, Orbit Air Annexes take up a little space when packed away, so they only take a small storage area during transport and it's easier to pack them.

**5. Spacious**

Orbit Air Annexes provide much needed room for everything you need, because space is at a premium in a caravan!

**6. Simple Assembly**

The Orbit Air Annexe simply hooks up onto your trailer. Pump it up, peg it out and gain instant outdoor living or storage space.

**7. Stable Structure**

The Orbit Air Beams pull the tent walls taut, making the Annexe much more stable comparing to traditional annexes with poles. The Air Beams are also great at reducing noise made by wind or rain.

**8. Affordable**

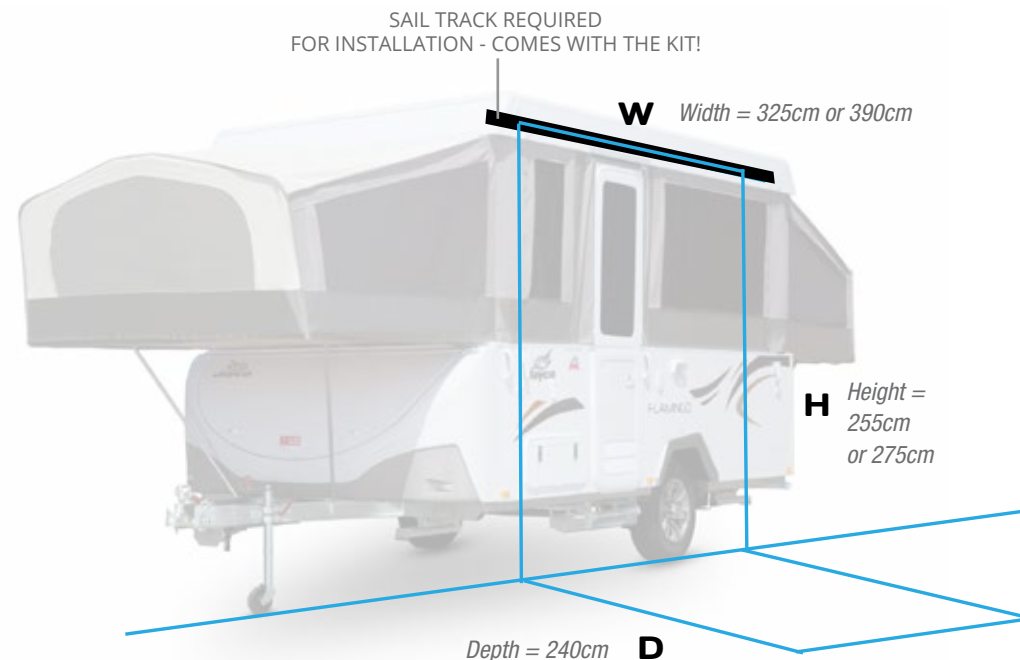
The Orbit Air Annexe range is reasonably priced. Don't get ripped off with an old-fashioned annexes..

**9. Designed & Tested in Australia**

Orbit Air Annexes have been designed using innovative, yet proven technologies to create a more enjoyable camping and caravanning experience in Australian outdoors.

**10. Easy to Repair**

With the Orbit Air Annexes it is easy to make a quick repair using the repair kit that comes with the equipment if required.



Measure the distance that your sail track would sit along the top of the van. Then work out the WIDTH, HEIGHT & DEPTH as shown to choose the annexe that suits.

**THE ORBIT AIR ASTRO IS AVAILABLE IN 4 SIZES**

- Orbit Air Astro 325 Low Dimensions: 325W x 240D x 255H
- Orbit Air Astro 325 High Dimensions: 325W x 240D x 275H
- Orbit Air Astro 390 Low Dimensions: 390W x 240D x 255H
- Orbit Air Astro 390 High Dimensions: 390W x 240D x 275H





ALSO AVAILABLE

ORBIT AIR STOCKIST/ DEALER

**orbit**<sup>®</sup>  
 AIR TECHNOLOGY  
 orbitairtech.com.au



Orbit Air Comet Annexe



Additional Orbit Air Comet Capsule



**DEVELOPED SPECIFICALLY FOR THE AUSTRALIAN CLIMATE**  
 From the makers of the Multi-Award Winning Air OPUS<sup>®</sup> Camper Trailer

Photographs and diagrams are for illustration purposes only. Actual product may vary and any specifications are subject to change without prior notice. All information correct at time of print. © 2018 Purple Line Pty Ltd All Rights Reserved.

**purpleline**<sup>®</sup>  
 design...innovate...improve