

**ANTI THEFT**

**SACACEN<sup>®</sup>**

**Caravan and Trailer Hitch Lock**



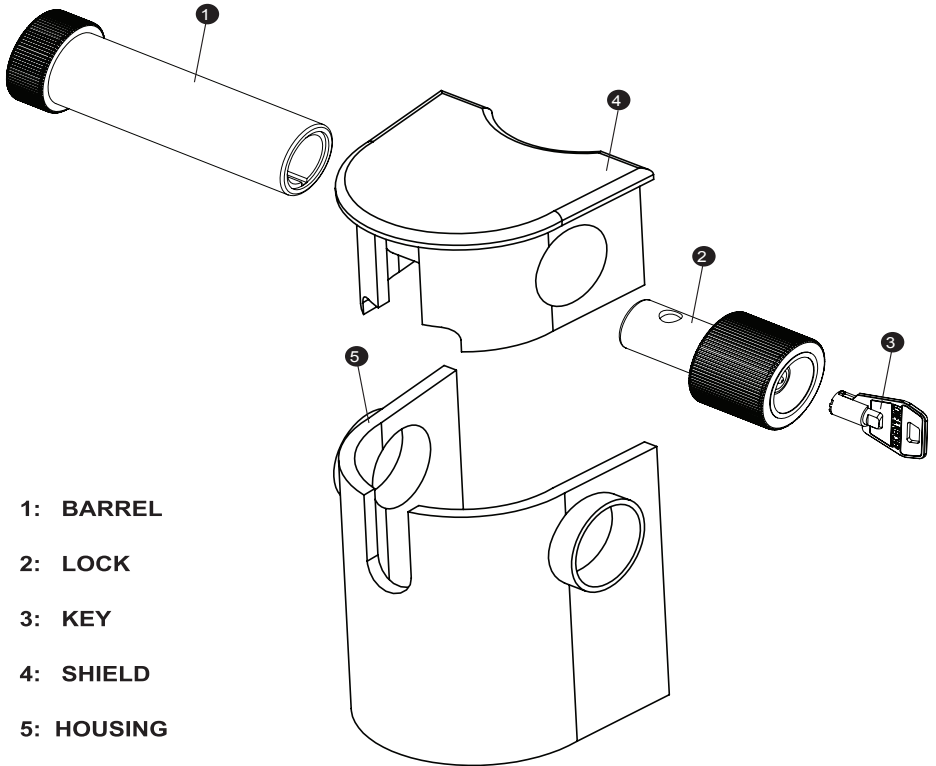
**PLEASE READ THIS  
MANUAL BEFORE FIRST  
USE. TIME INVESTED IN  
CORRECT FITMENT IS  
REPAID IN THE LEVEL  
OF SECURITY THAT IS  
ACHIEVED.**

## **User Manual**

Product Code: SHL100

 **purpleline<sup>®</sup>**  
design...innovate...improve

## SARACEN® HITCH LOCK COMPONENT IDENTIFICATION



1: BARREL

2: LOCK

3: KEY

4: SHIELD

5: HOUSING

## SARACEN® HITCH LOCK MAINTENANCE

On a regular basis apply either a clear silicone lubricant or petroleum jelly to the Male Lock to aid lubrication and functionality of the lock. Failure to do this will result in the lock ceasing.

## SARACEN® HITCH LOCK USAGE

The **Purple Line® Saracen Hitch Lock** is made from specially hardened high strength steel which is resistant to cutting and drilling.

For added security the **Purple Line® Saracen Hitch Lock** incorporates a high-security, 7 PIN barrel lock, resistant to picking, drilling and gas freezing.

The **Purple Line® Saracen Hitch Lock** is suitable for most Caravans, Camper Trailers, Boat Trailers and General Purpose Trailers fitted with an Al-Ko hitch and is designed to secure the vehicle by preventing it from being towed away.

## SARACEN® HITCH LOCK USER INSTRUCTIONS

The **Purple Line® Saracen Hitch Lock** is designed to be fitted when the vehicle is stationary and unhitched.

### 1. UNLOCK & DISMANTLE:

- i. Insert the Key into the Lock.
- ii. Push the Key down into the Lock and turn the Key 90° clockwise to unlock.
- iii. Remove the Lock and Barrel from the Housing.
- iv. Remove Shield.

### 2. FITMENT:

- i. Unhitch the vehicle from the tow vehicle.
- ii. Place the Hitch Lock Housing under the coupling fitted to the A Frame of the vehicle.
- iii. Fit the Shield to the Housing.
- iv. Insert the Barrel into the Housing, which will cause it to pass through the Shield.
- v. Insert the Lock into the Barrel and rotate and push down until it slots into place. (note: there is a nodule on the Lock designed to align with a notch located on the inside of the Barrel).
- vi. Turn the Key 90° anti-clockwise and remove.
- vii. The Hitch Lock is now secure.

**CAUTION:** Please store keys in a safe environment.

## SARACEN<sup>®</sup> HITCH LOCK - DISCLAIMER

When the **Purple Line<sup>®</sup> Saracen Hitch Lock** is fitted correctly it is an effective deterrent to prevent the theft of a vehicle. However, as with all products designed to prevent theft they will not prevent a determined or professional thief from stealing a vehicle.

Accordingly, Purple Line P/L. will not accept any liability for any loss or damage which may result from an attempted or realised theft. Additionally, no liability will be accepted from the improper fitment, use or misuse, maintenance and unauthorised modification or repair of the **Purple Line<sup>®</sup> Saracen Hitch Lock** and any consequential loss that may result.

Photographs used are for illustration purposes only and may differ for the product. Purple Line reserves the right to alter product specifications without prior notice.

## SARACEN<sup>®</sup> HITCH LOCK - WARRANTY POLICY

The **Purple Line<sup>®</sup> Saracen Hitch Lock** is guaranteed for 24 months from date of purchase and subject to Australian Consumer Law.

Purple Line warrants the **Purple Line<sup>®</sup> Saracen Hitch Lock** is supplied free of defects.

**Refund:** The Goods will be refunded if not fit for purpose.

**Replaced:** The Goods will be replaced if defects were apparent upon purchase or a major failure occurs, which cannot be repaired.

**Repair:** The Goods will be repaired in the event of failure. Goods presented for repair may be repaired or replaced by refurbished goods or parts of a similar type.

**Contacts:** To make a warranty claim first contact the retailer the Goods were purchased from and if purchased online Purple Line <http://www.purpleline.com.au/contact.php>

To activate your warranty please go to:

**<http://www.purpleline.com.au/product-registration.php>**

and register the product online.

**ANTI THEFT**

**SARACEN<sup>®</sup>**

**Caravan and Trailer Hitch Lock**



**purpleline<sup>®</sup>**

design...innovate...improve

Purple Line Pty Ltd  
12 Capital Court  
Braeside VIC 3195

T: +61 (3) 9588 2959  
E: [enquiries@purpleline.com.au](mailto:enquiries@purpleline.com.au)  
W: [www.purpleline.com.au](http://www.purpleline.com.au)

Design registration : 347139